

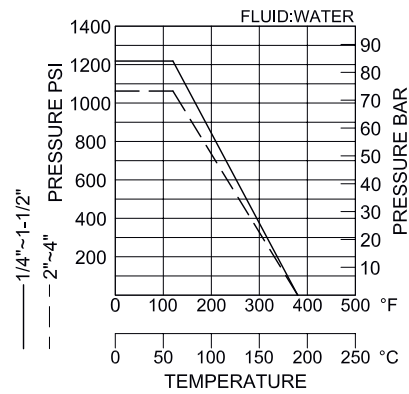
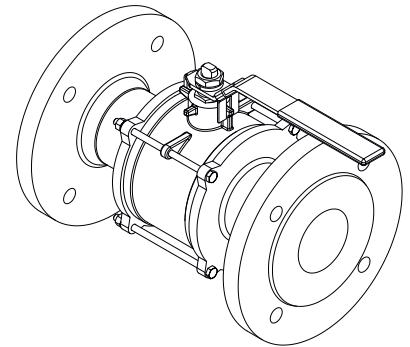
DESCRIPTION: Three piece, full bore, AISI 316 equivalent body ball valve with AISI 316 ball and PTFE seat ring. Raised face flanges.

APPLICATION: Start/stop flow of: Compressed air, steam, gases and acidic media etc. Typically also used for drain and vent purposes.

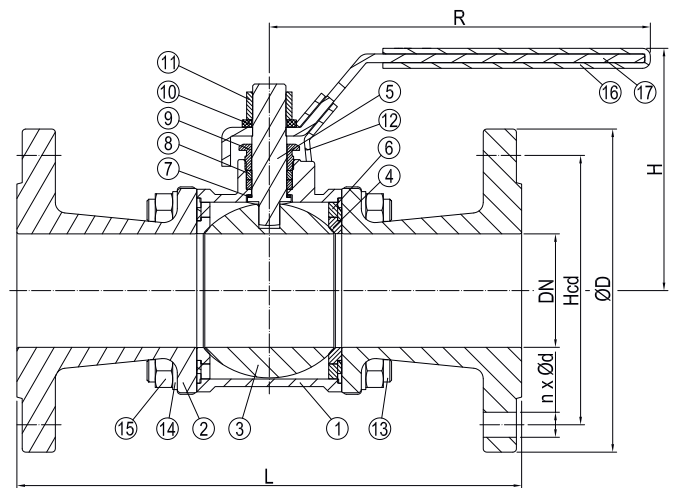
STANDARD & DESIGN:

Design Code: -
 Inspection Std.: -
 End Std.: -
 Face to Face Std.: DIN3202-F1
 Flanges drilled: PN40(DN15-DN100)
 Pressure rating: PN40(DN15-DN100)

VARIATIONS: Various actuators.
 Other dimensions and materials on request.



No	Part	Material	Code
1	Body	Stainless Steel	ASTM-A351-CF8M
2	Bonnet	Stainless Steel	ASTM-A351-CF8M
3	Ball	Stainless Steel	ASTM-A351-CF8M
4	Ball Seat	PTFE	-
5	Stem	Stainless Steel	AISI 316
6	Joint Gasket	PTFE	-
7	Thrust Washer	PTFE	-
8	Stem Packing	PTFE	-
9	Gland Nut	Stainless Steel	AISI 304
10	Stem Washer	Stainless Steel	AISI 304
11	Stem Nut	Stainless Steel	AISI 304
12	Lock Device	Stainless Steel	AISI 304
13	Bolt	Stainless Steel	AISI 304
14	Spring Washer	Stainless Steel	AISI 304
15	Hex Nut	Stainless Steel	AISI 304
16	Handle Cover	Plastic	-
17	Handle	Stainless Steel	AISI 430



DN	n x ød	Hcd	øD	L	H	R	Kg
15	4x14	65	95	130	73.5	130	2.5
20	4x14	75	105	150	77.5	155	3.5
25	4x14	85	115	160	93.5	173	4.7
32	4x18	100	140	180	99	173	7.0
40	4x18	110	150	200	108.5	185	8.4
50	4x18	125	165	230	117	185	11.7
65	8x18	145	185	290	127	215	16.9
80	8x18	160	200	305	136	215	27.2
100	8x22	190	235	355	191	325	39.0