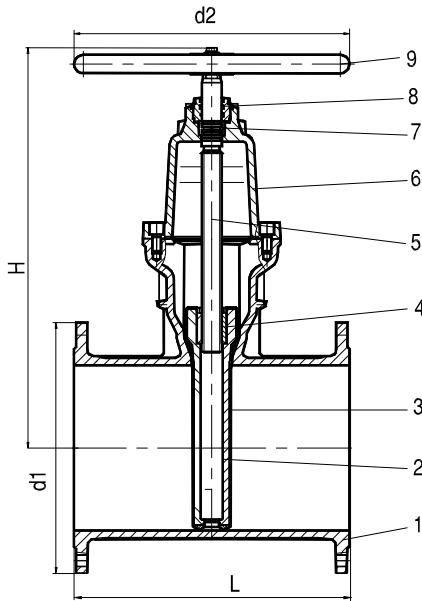


**PRODUS AVIZAT SANITAR
SANITARY APPROVED**



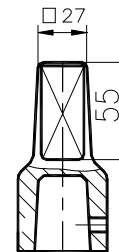
POZ ITEM	REPER PART NAME	MATERIAL / MATERIAL		
		TIP TYPE		SIMBOL SYMBOL
1	Corp / Body	PN 10	fonta cenusie cast iron	EN-GJL-250
		PN 16	fonta nodulara ductile iron	EN-GJS-500-7
2	Sertar / Wedge	PN 10	fonta cenusie cast iron DN200-300	EN-GJL-250
			fonta nodulara ductile iron DN125-150	EN-GJS-500-7
		PN 16	fonta nodulara ductile iron	EN-GJS-500-7
3	Manta sertar Wedge coating	cauciuc / rubber		NBR sau EPDM NBR or EPDM
4	Piulita sertar Wedge nut	bronz / bronze		CuSn5Zn5Pb5
5	Tija / Stem	inox min.11.5%Cr min.11.5%Cr stainless steel		-
6	Capac / Bonnet	PN10	fonta cenusie cast iron	EN-GJL-250
		PN16	fonta nodulara ductile iron	EN-GJS-500-7
7	Inel de reazem Bearing ring	bronz / bronze		CuSn5Zn5Pb5
8	Bucsa de etansare Sealing bushing	bronz / bronze		CuSn5Zn5Pb5
9	Roata de manevra Handwheel	fonta cenusie / cast iron		EN-GJL-250
	Garnituri / Gasket	cauciuc / rubber		NBR sau EPDM NBR or EPDM
	Organe de asamblare / Bolting	otel inox / stainless steel		-

CARACTERISTICI CONSTRUCTIVE / DESIGN CHARACTERISTICS :

- constructie / design : - ISO 5996; DIN 3352/4
- lungime de constructie / overall length : - EN 558-1,ISO 5752 – S14, S15
- flanse de legatura / connecting flanges : - PN 10; PN16 EN 1092-2, ISO 7005 - 2; DIN 2501
- viteza maxima de curgere pentru lichide / max. flow speed for liquids : - 3 m/s pentru / for PN 10
- 4 m/s pentru / for PN 16

**TEMPERATURA MAXIMA / TEMPERATURA MINIMA DE LUCRU - TS :
MAX. / MIN. WORKING TEMPERATURE - TS**

- 80°C / -10°C - cauciuc NBR / NBR rubber
- 120°C / -10°C - cauciuc EPDM / EPDM rubber



Varianta cu cap de antrenare
Variant with driving head

(dimensiuni in mm / dimensions in mm)

DN	L		H	d1		d2	Nr. rot./ cursa Rotations / stroke	Moment de actionare la roata Handwheel torque (daNm)	Masa neta / Net weight ≈ (kg)			
	S14	S15		PN 10	PN 16				robinet cu ax liber free shaft valve		roata de manevra handwheel	cap de antrenare driving head
									S14	S15		
125	200	325	395	250		315	25	6.3	41.2	42.5	5	1.8
150	210	350	408	285			30		47.7	49.7		
200	230	400	530	340		400	34	8	78	88	8.5	2
250	250	450	640	395	400	500	42	12	110	126	15	
300	270	500	720	445	455	500	50	18	144	169		

ξ - coeficient de pierdere de sarcina / head loss

Pentru confirmare va rugam folositi fisa tehnica contractuala / For confirmation please use the technical sheet of agreement FTC1