

DESCRIPTION: Straight type, forged steel body stop valve, Stellite seat with rising stem and bolted bonnet. BSPT female thread.

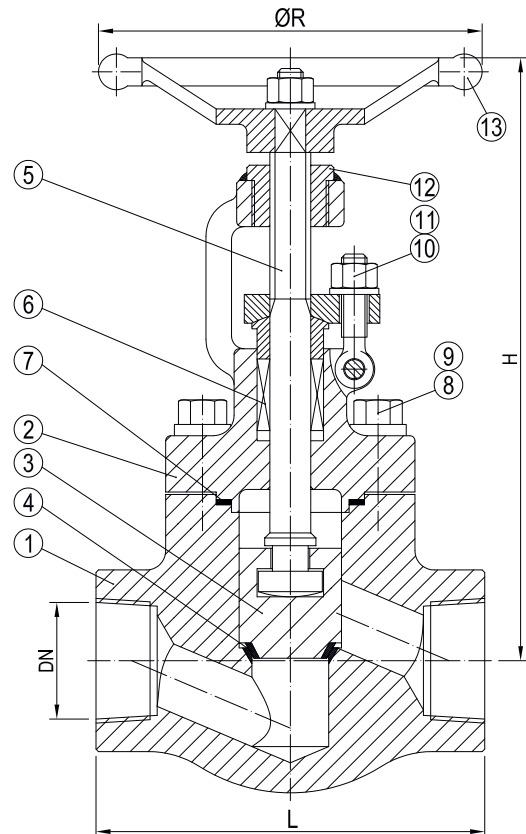
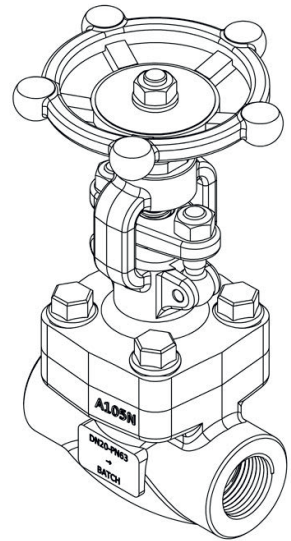
APPLICATION:

Start/stop and throttling of: Air, water, steam, oils and aggressive/abrasive media etc.

STANDARD & DESIGN:

Design Code: BS 5352
 Inspection Std.: EN 12266-1
 End Std.: BSPT
 Face to Face Std.: -
 Pressure rating: PN63 (DN10-DN50)

VARIATIONS: Other dimensions and materials on request.



No	Part	Material	Code
1	Body	Forged Steel	ASTM A105
2	Bonnet	Forged Steel	ASTM A105
3	Disc	Stainless Steel	ASTM A276-420
4	Seat	Deposited Stellite	-
5	Stem	Stainless Steel	ASTM A276-410
6	Packing	Graphite	-
7	Bonnet Gasket	Graphite/304	-
8	Stud Bolt	Steel	ASTM A193 Gr.B7
9	Nut	Steel	ASTM A193 Gr.B7
10	Eye Bolt	Steel	ASTM A194 Gr.2H
11	Gland Nut	Steel	ASTM A193 Gr.B8
12	Stem Nut	Steel	1045
13	Handwheel	Malleable Iron	ASTM A197

DN	Inch	L	H	øR	Kg
10	3/8	79	155	100	2.0
15	1/2	79	155	100	2.3
20	3/4	92	155	100	2.4
25	1	111	176	125	4.3
32	1 1/4	120	200	160	5.7
40	1 1/2	152	220	160	7.8
50	2	172	255	180	12.5