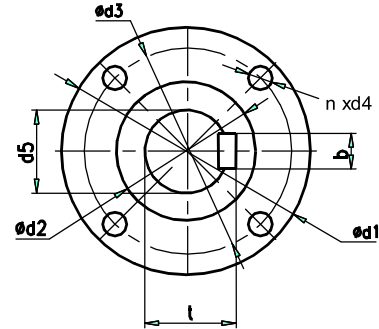
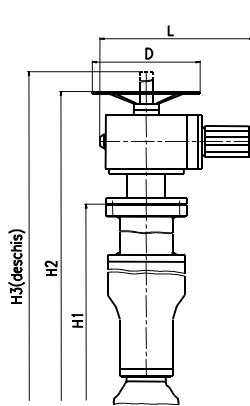
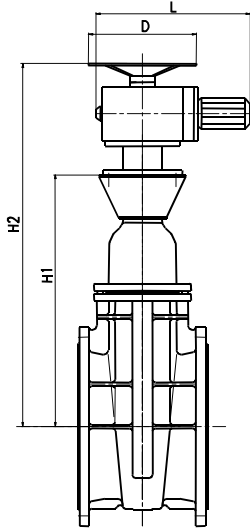


TN – tija neascendentă
 NRS – non rising stem

TA – tija ascendentă
 OS & Y – rising stem

Dimensiuni cuplare actionare electrica /
 Connecting dimensions of electric actuator



ACTIONARE ELECTRICA / ELECTRIC ACTUATION - echipare standard cu mecanism NOTOR in variantele / standard equipped with NOTOR actuator in the following variants:

- NORMAL + cofret de forta si comanda / NORMAL + with electric switch box,;
- ANTIEX Exd II BT 4 – fara cofret / ANTIEX Exd II BT 4 – without electric switch box;

(dimensiuni in mm / dimensions in mm)

PN	DN	H1		H2		H3	L	D	Cursa x pasul Stroke x pitch	CARACTERISTICI NOTOR NOTOR'S CHARACTERISTICS				Durata cursei Stroke duration (s)	Masa totala Totalweight ≈(kg)	
		TN / NRS	TA / OS&Y	TN / NRS	TA / OS&Y					Tip Type	Moment maxim Max. torque (daNm)	Turatie iesire Output speed (rot/min)	Putere Power (kW)		TN / NRS	TA / OS&Y
10	50	320	317	605	602	602	575	250	70 x 4	N 0 AS	7	28	0.37	39	42	44
	65	350	330	635	615	615			80 x 4					45	45	47
	80	370	380	655	665	665			92 x 4					50	47	49
	100	418	426	703	711	711			110 x 4					60	58	60
	125	340	530	688	880	880			135 x 5					58	108	115
6	150	400	581	748	930	930	620	400	160 x 5	N 1 AS	14	28	0.55	69	118	133
	200	470	780	818	1128	1128			210 x 5					90	140	160
	250	570	845	918	1193	1193			260 x 5					112	170	190
4	300	644	1000	992	1348	1355	645	400	315 x 5	N 2 AS	25	28	1.1	135	196	216
	350	1100	1210	1448	1558	1660			380 x 6					137	252	277
	400	1150	1385	1498	1733	1870			415 x 6					150	310	335
	500	1035	1495	1382	1843	2080			515 x 6					185	415	465
	2.5	600	1180	1530	1528	1878			2220					620 x 6	223	580

NOTA : constructie si materialele conform fisa RSP-10

NOTE : design and materials in conformity with the technical sheet RSP-10

CERINTE PENTRU MECANISMUL ELECTRIC DE ACTIONARE / REQUIREMENTS FOR THE ELECTRIC ACTUATOR :

DN	50	65	80	100	125	150	200	250	300	350	400	500	600
Nr. rotatii / cursa Rotations/stroke	18	20	23	28	27	32	42	52	63	64	70	86	104
Moment min. actionare (daNm) Min. driving torque (daNm)	5			6.3	7		9	12		14		15	
Flanse prindere mec. ISO5210 Actuator connecting flanges ISO 5210	F10-B1						F14-B1						
d1	125						175						
d2	70						100						
d3	102						140						
n x d4	4 x 12						4 x 18						
d5	42						60						
t	45.3						64.4						
b	12						18						

Pentru confirmare va rugam folositi fisa tehnica contractuala / For confirmation, please use the technical sheet of agreement (FTC1)